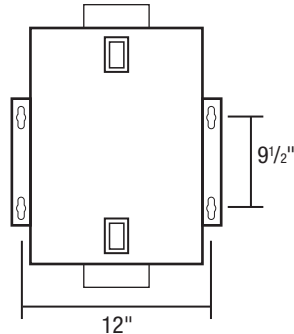
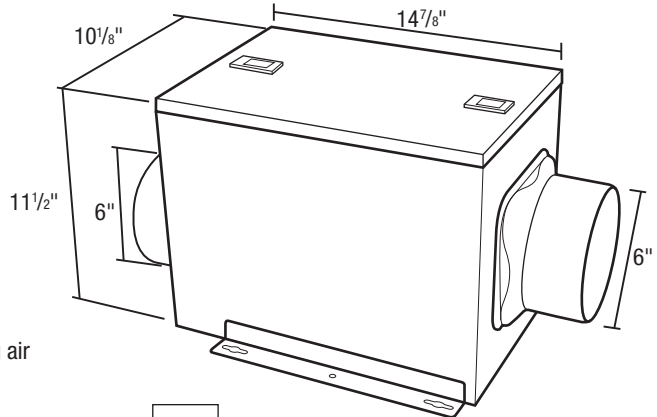




**SPECIFICATIONS**  
**QFAMD**  
 FRESH AIR SUPPLY FAN

**HVI 2100 CERTIFIED**  
**130 CFM @ 0.20" SP., 26.0 Watts**  
**80 CFM @ 0.20" SP., 12.8 Watts**  
**30 CFM @ 0.20" SP., 7.8 Watts**

- **Blower Wheel**  
Balanced polymeric dual inlet blower wheel secured in place using a hex nut.
- **Adjustable Capacity Motor**  
Variable capacity settings allow the fan to be set from 30 to 130 CFM  
4 pole ECM motor, permanently lubricated, thermally protected  
115/120V 60 Hz., 0.30 amps.  
**Fan Efficacy:** 5.4 CFM/Watt at 130 CFM, 0.2" SP.  
**Static Pressure Range:** Up to 0.4" SP.
- **Controller**  
Unit mounted controller monitors temperature and humidity of incoming air and allows installer to configure optimal ventilation.
- **Fan Housing**  
Insulated 26 gauge baked epoxy housing. Overall dimensions:  
14<sup>7</sup>/<sub>8</sub>"H x 11<sup>1</sup>/<sub>2</sub>"D x 10<sup>1</sup>/<sub>8</sub>"W.
- **Duct Collars**  
6" round, zinc plated metal collar adapters.
- **Electrical Connections**  
0.5" electrical access. Easy wiring access via external wiring compartment cover or internal access plate.
- **Unit Mounting**  
Designed to surface mount to a wall or ceiling with the included mounting brackets. Can be mounted onto joists, studs or the housing mounting brackets can be adapted for overhead mounting (hardware not provided).
- **Optional Air Filter**  
An optional 10" x 10" x 2" air filter can be added to the unit (not included).
- **Test Port**  
Allows easy air flow measurement with Pitot tube or similar device.
- **Single Pack Shipping Info**  
Box Dim: 23" x 15<sup>7</sup>/<sub>8</sub>" x 12<sup>3</sup>/<sub>4</sub>"  
Shipping Weight: 18.0 lbs.



<b>PROJECT</b>							<b>ARCHITECT</b>			
<b>LOCATION</b>							<b>ENGINEER</b>			
<b>CONTRACTOR</b>							<b>SUBMITTED BY</b>		<b>DATE</b>	
FAN NUMBER	MODEL NUMBER	CFM	IN W.G.	RPM	WATTS	AMPS	SONES	QTY	OPTIONAL EQUIPMENT & REMARKS	



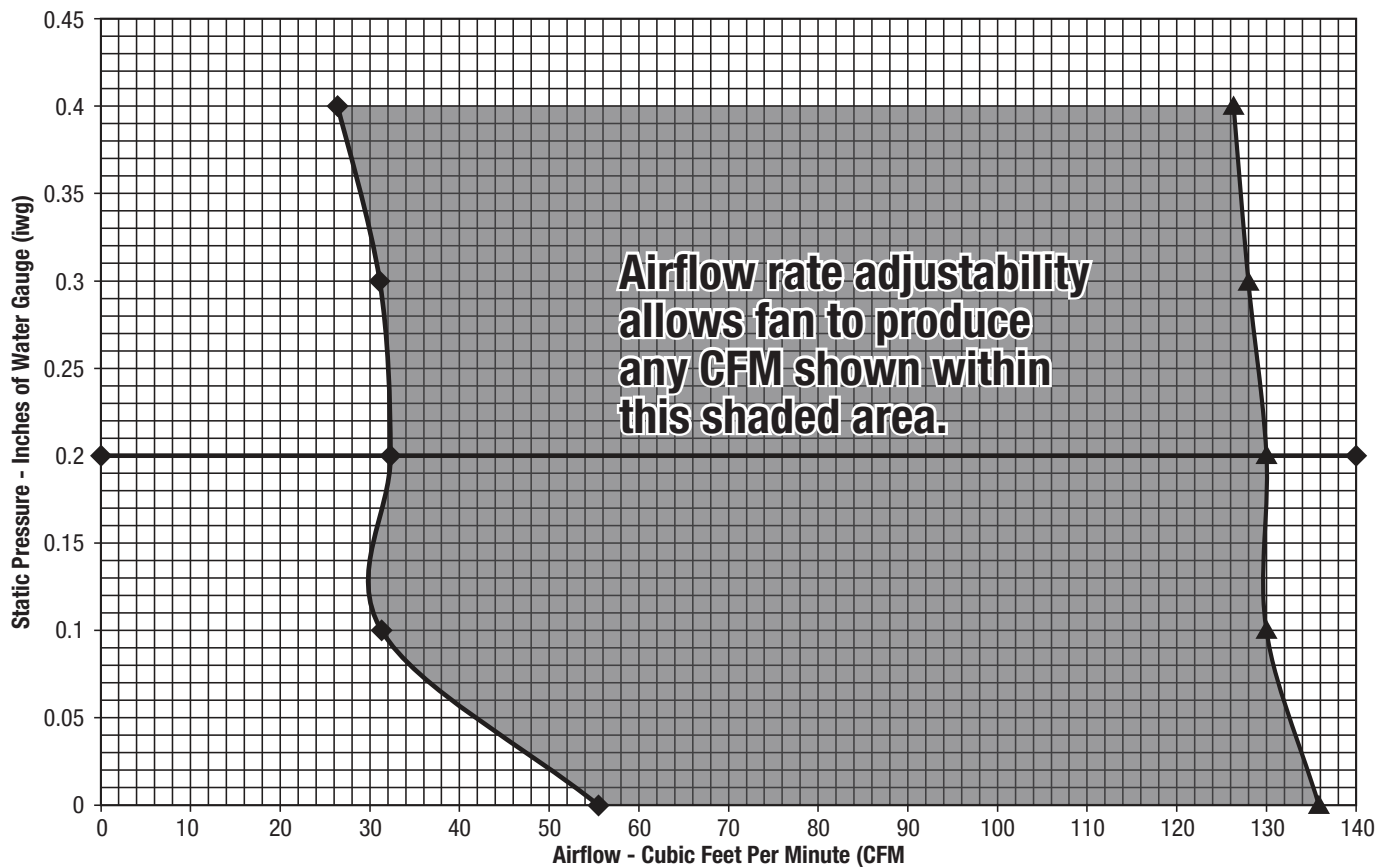
**U.S.:** 820 Lincoln Avenue  
 West Chester, Pennsylvania 19380-4466  
 Tel: (610) 692-7400 • 877-304-3785  
 Fax: (610) 696-8048

**Canada:**  
 Brampton, Ontario  
 Tel: 905-456-2033  
 Fax: (905) 456-1015



SPECIFICATIONS  
**QFAMD**  
FRESH AIR SUPPLY FAN

**Model QFAMD Fan Curve**



**U.S.:** 820 Lincoln Avenue  
West Chester, Pennsylvania 19380-4466  
Tel: (610) 692-7400 • 877-304-3785  
Fax: (610) 696-8048

**Canada:**  
Brampton, Ontario  
Tel: 905-456-2033  
Fax: (905) 456-1015