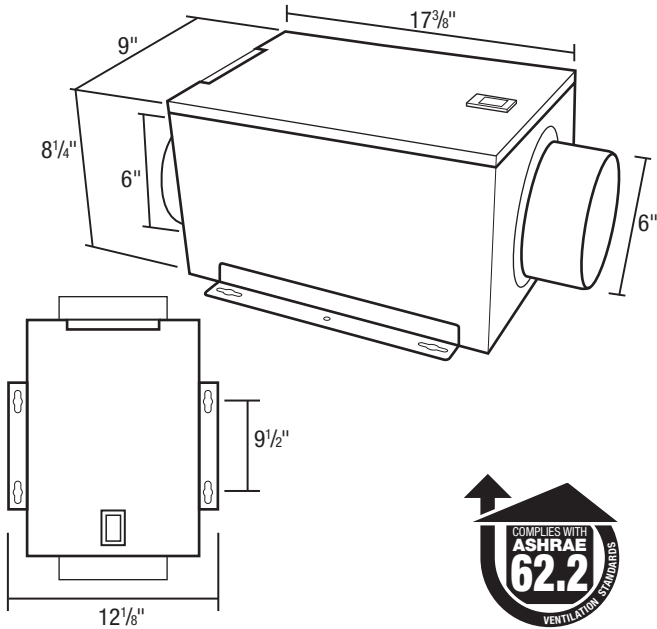




SPECIFICATIONS
MQFAM
 FRESH AIR SUPPLY FAN

80 CFM @ 0.20" SP.
50 CFM @ 0.20" SP.

- **Blower Wheel**
Balanced polymeric dual inlet blower wheel secured in place using a hex nut.
- **Motor**
Dual Speed, Heavy duty, permanently split capacitor, plug-in, life time lubrication, thermally protected, suitable for continuous operation. Rated 120 volts, 60 hz.
- **Controller**
Unit mounted controller monitors temperature and humidity of incoming air and allows installer to configure optimal ventilation.
- **Fan Housing**
Insulated 26 gauge galvanized steel housing. Overall dimensions: 17³/₈"H x 8¹/₄"D x 9"W.
- **Duct Collars**
6" round, zinc plated metal collar adapters.
- **Electrical Connections**
1/2" electrical access. Easy wiring access via external wiring compartment cover or internal access plate.
- **Unit Mounting**
Designed to surface mount to a wall or ceiling with the included mounting brackets. Can be mounted onto joists, studs or the housing mounting brackets can be adapted for overhead mounting (hardware not provided).



- **Optional Air Filter**
An optional nominal 8" x 9" x 2" Merv 8 or Merv 13 air filter can be added to the unit (not included).
- **Test Port**
Allows easy air flow measurement with Pitot tube or similar device.

EXPANDED PERFORMANCE

	Static Pressure (inches of w.g.)							Fan Speed RPM	Maximum Fan Watts	Amps
	0	0.1	0.2	0.3	0.4	0.5	0.6			
Air Flow - CFM (High Speed)	90	85	80	75	69	62	54	1968	82.9	0.8
Air Flow - CFM (Low Speed)	55	53	50	47	43	38	31	1560	42.9	

PROJECT							ARCHITECT				
LOCATION							ENGINEER				
CONTRACTOR							SUBMITTED BY			DATE	
FAN NUMBER	MODEL NUMBER	CFM	IN W.G.	RPM	WATTS	AMPS	SONES	QTY	OPTIONAL EQUIPMENT & REMARKS		



U.S.: 820 Lincoln Avenue
 West Chester, Pennsylvania 19380-4466
 Tel: (610) 692-7400 • 877-304-3785
 Fax: (610) 696-8048

Canada:
 Brampton, Ontario
 Tel: 905-456-2033
 Fax: (905) 456-1015