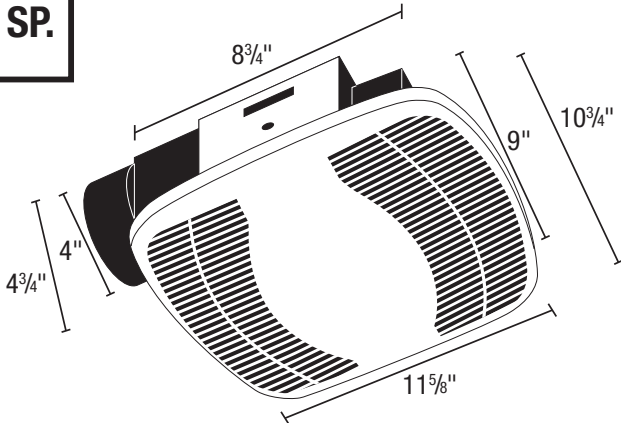




SPECIFICATIONS
BFQ110
 EXHAUST FANS

100 CFM/3.5 Sones @ 0.10" SP.



Acceptable for use over tub or shower when installed in a GFCI protected branch circuit.

- **Grill**
 White, polymeric grill secured in place with torsion springs; easily removed if necessary, dimensions - 10³/₄" x 11⁵/₈".
- **Blower Wheel**
 One piece polymeric wheel 5¹/₈" diameter, 2³/₈" wide, with 48 fins.
- **Motor**
 Heavy duty, permanently split capacitor, plug-in, 4 pole motor, life time lubrication, thermally protected, suitable for continuous operation. Rated 120 volts, 60 hz.
- **Fan Housing**
 PC/ABS polymeric, dimensions 8³/₄" x 9" x 4³/₄".
- **Duct Collar**
 Plastic collar for 4" duct connection, comes complete with built in non-metallic back draft damper for quiet operation.
- **Ventilating Area**
 For bathrooms up to 100 sq. ft. For other rooms up to 125 sq. ft.
- **Single Pack Shipping Info**
 Box Dim: 11¹/₈" x 12" x 6³/₈"
 UPC: 0-8316290316-7
 Shipping Weight: 5¹/₄ lbs.

- **Unit Mounting**
 Designed to mount in ceilings with at least 6" of clearance. The unit is mounted directly to the joist using a separate lock-in bracket (included with unit). The housing will mount through drywall thickness up to ³/₄", with a rough-in opening of 8⁷/₈" x 9¹/₈".

EXPANDED PERFORMANCE

	Static Pressure (inches of w.g.)							Sones @ .1 SP	Fan Speed RPM	Maximum Fan Watts	Amps
	0	0.05	0.1	0.15	0.2	0.25	0.3				
Air Flow - CFM	107	104	100	97	92	87	82	3.5	1625	72.5	0.7

PROJECT	ARCHITECT
LOCATION	ENGINEER
CONTRACTOR	SUBMITTED BY DATE

FAN NUMBER	MODEL NUMBER	CFM	IN W.C.	RPM	WATTS	AMPS	SONES	QTY	OPTIONAL EQUIPMENT & REMARKS



U.S.: 820 Lincoln Avenue
 West Chester, Pennsylvania 19380-4466
 Tel: (610) 692-7400 • 877-304-3785
 Fax: (610) 696-8048

Canada:
 Brampton, Ontario
 Tel: 905-456-2033
 Fax: (905) 456-1015