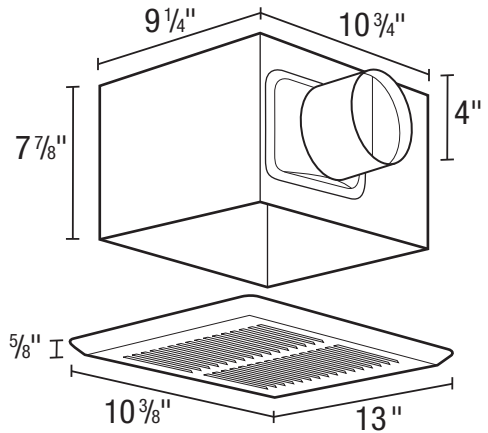




SPECIFICATIONS
FRAK100D
 DUAL SPEED EXHAUST FAN

2100 HVI CERTIFIED
 100 CFM/2.0 Sones @ 0.10" SP.
 82 CFM @ 0.25" SP.
 50 CFM/0.8 Sones @ 0.10" SP.



- Grill**
Cold rolled steel, powder coated white.
- Blower Wheel**
Balanced polymeric dual inlet blower wheel, 5 1/4" diameter x 4" depth, with 30 paddles.
- Motor**
Enclosed 4 pole electronically balanced permanently split capacitor motor (PSC); life time lubricated. Motor bearings - ball. Suitable for continuous operation. Rated 115/120 volts, 60 Hz.
- Fan Housing**
24 gauge galvanized steel housing, dimensions 10 3/4" x 9 1/4" x 7 7/8".
- Duct Collar**
Plastic collar for 4" duct connection, comes complete with built in non-metallic back draft damper for quiet operation.
- Ventilating Area**
For bathrooms up to 100 sq. ft. For other rooms up to 125 sq. ft.
- Unit Mounting**
FRAK100D is centered between joists (with 16" centers) using hanging brackets. The housing will mount through drywall thickness up to 3/4", with a rough-in opening of 10 7/8" x 9 3/8".
- Damper**
Blanket - Non-asbestos, ceramic blanket
Fusible Link - Replaceable, 165°F standard
Classification - CUL Listed 555C and 263. California State Marshall classification for 3 hour fire damper rating. California State Marshall listing number 3226-1721:0109.

Acceptable for use over tub or shower when installed in a GFCI protected branch circuit.



Wood Frame Truss Design Listings

ETL Classified UL263/E119:

L501, L502, L503, L506, L507, L508, L512, L513, L514, L515, L516, L517, L519, L521, L522, L523, L528, L530, L533, L537, L545, L546, L550, L562, L563, L570, L574, L579, L581, L583, L585, L586, M503, M530, M538, P522, P531, P538, P545, P552

cULus:

L501, L502, L503, L506, L507, L508, L512, L513, L514, L515, L516, L517, L519, L522, L523, L533, L537, L545, L581, L583, M530, M538

EXPANDED PERFORMANCE

	Static Pressure (inches of w.g.)							Sones @ .1 SP	Fan Speed RPM	Power Watts	Amps
	0	0.1	0.125	0.15	0.2	0.25	0.3				
Air Flow - CFM (High Speed)	104	100	99	98	95	82	71	2.0	1106	27.5	0.31
Air Flow - CFM (Low Speed)	54	50	48	47	41	30	17	0.8	875	16.0	0.31

PROJECT							ARCHITECT				
LOCATION							ENGINEER				
CONTRACTOR							SUBMITTED BY			DATE	
FAN NUMBER	MODEL NUMBER	CFM	IN W.G.	RPM	WATTS	AMPS	SONES	QTY	OPTIONAL EQUIPMENT & REMARKS		



U.S.: 820 Lincoln Avenue
 West Chester, Pennsylvania 19380-4466
 Tel: (610) 692-7400 • 877-304-3785
 Fax: (610) 696-8048

Canada:
 Brampton, Ontario
 Tel: 905-456-2033
 Fax: (905) 456-1015