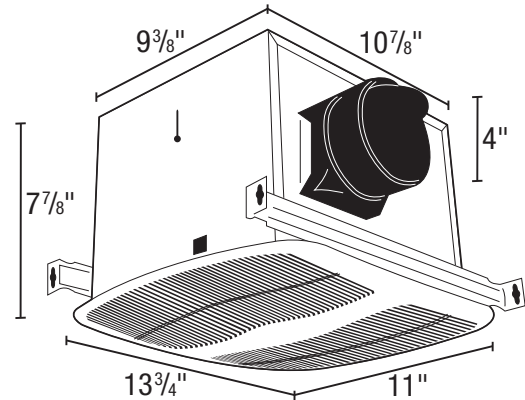




SPECIFICATIONS
AK50S
EXHAUST FAN

HVI 2100 CERTIFIED **50 CFM/0.5 Sones @ 0.10" SP.**
40 CFM @ 0.25 SP.

- **Grill**
White, polymeric grill secured in place with torsion springs; easily removed if necessary, dimensions - 11" x 13³/₄".
- **Blower Wheel**
One piece polymeric centrifugal blower wheel, 5⁷/₃₂" diameter, 2²⁹/₃₂" wide, with 30 paddles.
- **Motor**
Heavy duty, permanently split capacitor, plug-in, 4 pole motor, life time lubrication, suitable for continuous operation. Rated 120 volts, 60 hz.
- **Fan Housing**
23 gauge galvanized steel housing.
Dimensions: 10⁷/₈" x 9⁷/₈" x 7⁷/₈".
- **Duct Collar**
Plastic collar for 4" duct connection, comes complete with built in non-metallic back draft damper for quiet operation.
- **Ventilating Area**
For bathrooms up to 50 sq. ft. For other rooms up to 60 sq. ft.
- **Electrical Connections**
1/2" electrical knockouts provided.
- **Single Pack Shipping Info**
Box Dim Box Dim: 16" x 14³/₈" x 9⁷/₈"
UPC: 0-8316225321-7
Shipping Weight: 12 lbs.



Acceptable for use over tub or shower when installed in a GFCI protected branch circuit.



- **Unit Mounting**
The housing will mount in ceilings with at least 8" of clearance and through drywall thickness up to 3/4", with a rough-in opening of 11" x 9¹/₂". The housing will mount either between 16" or 24" on center joists, using the 4 supplied housing mounting rails. The housing mounting rails can be adapted for overhead mounting (hardware not provided).

| EXPANDED PERFORMANCE | | | | | | | | | | | |
|-----------------------|----------------------------------|------|-----|-----|------|-----|------|---------------|---------------|-------------------|------|
| | Static Pressure (inches of w.g.) | | | | | | | Sones @ .1 SP | Fan Speed RPM | Maximum Fan Watts | Amps |
| | 0 | 0.05 | 0.1 | 0.2 | 0.25 | 0.3 | 0.35 | | | | |
| Air Flow - CFM | 57 | 54 | 50 | 44 | 40 | 35 | 27 | 0.5 | 870 | 14.5 | 0.2 |

| PROJECT | | | | | ARCHITECT | | | | | | |
|-------------------|--------------|-----|---------|-----|---------------------|------|-------|-----|------------------------------|-------------|--|
| LOCATION | | | | | ENGINEER | | | | | | |
| CONTRACTOR | | | | | SUBMITTED BY | | | | | DATE | |
| FAN NUMBER | MODEL NUMBER | CFM | IN W.G. | RPM | WATTS | AMPS | SONES | QTY | OPTIONAL EQUIPMENT & REMARKS | | |
| | | | | | | | | | | | |



U.S.: 820 Lincoln Avenue
West Chester, Pennsylvania 19380-4466
Tel: (610) 692-7400 • 877-304-3785
Fax: (610) 696-8048

Canada:
Brampton, Ontario
Tel: 905-456-2033
Fax: (905) 456-1015