

# IMPORTANT INSTRUCTIONS - OPERATING MANUAL

Models: AK300, AK400, AK500, AK600

**Air King**  
Ventilation Products®

Exhaust Fan



## READ AND SAVE THESE INSTRUCTIONS

READ CAREFULLY BEFORE ATTEMPTING TO ASSEMBLE, INSTALL, OPERATE OR MAINTAIN THE PRODUCT DESCRIBED. PROTECT YOURSELF AND OTHERS BY OBSERVING ALL SAFETY INFORMATION. FAILURE TO COMPLY WITH INSTRUCTIONS COULD RESULT IN PERSONAL INJURY AND/OR PROPERTY DAMAGE!



RETAIN INSTRUCTIONS FOR FUTURE REFERENCE.

## GENERAL SAFETY INFORMATION

When using electrical appliances, basic precautions should always be followed to reduce the risk of fire, electric shock and injury to person, including the following:



**WARNING:** TO REDUCE THE RISK OF FIRE, ELECTRIC SHOCK AND INJURY TO PERSON, OBSERVE THE FOLLOWING:

- a) Use this unit only in the manner intended by the manufacturer. If you have questions, contact the manufacturer.
- b) Before servicing or cleaning the unit, switch power off at service panel and lock the service disconnecting means to prevent power from being switched on accidentally. When the service disconnecting means cannot be locked, securely fasten a prominent warning device, such as a tag, to the service panel.



**WARNING:** TO REDUCE THE RISK OF FIRE, ELECTRIC SHOCK AND INJURY TO PERSON, OBSERVE THE FOLLOWING:

- a) Installation work and electrical wiring must be done by qualified person(s) in accordance with all applicable codes and standards, including fire-related construction.
- b) Sufficient air is needed for proper combustion and exhausting of gases through the flue (chimney) of fuel burning equipment to prevent back drafting. Follow the heating equipment manufacturer's guideline and safety standards such as those published by the National Fire Protection Association (NFPA) and the American Society for Heating, Refrigeration, and Air Conditioning Engineers (ASHRAE), and the local code authorities.
- c) When cutting or drilling into wall or ceiling, do not damage electrical wiring and other hidden utilities.



**CAUTION:** FOR GENERAL VENTILATING USE ONLY. DO NOT USE TO EXHAUST HAZARDOUS OR EXPLOSIVE MATERIALS AND VAPORS.

- d) Ducted fans must always be vented to the outdoors.
- e) This unit must be grounded.
- f) To avoid motor bearing damage and noisy and/or unbalanced impellers, keep drywall spray, construction dust, etc. off power unit.
- g) Read all instructions before installing or using exhaust fan.



**WARNING:** TO REDUCE THE RISK OF FIRE, ELECTRIC SHOCK, DO NOT USE THIS FAN WITH ANY SOLID-STATE SPEED CONTROL DEVICE.



**WARNING:** DO NOT USE IN KITCHENS.



**WARNING:** THE DUCTING FROM THIS FAN TO THE OUTSIDE OF THE BUILDING HAS A STRONG EFFECT ON THE AIR FLOW, NOISE AND ENERGY USE OF THE FAN. USE THE SHORTEST, STRAIGHTEST DUCT ROUTING POSSIBLE FOR BEST PERFORMANCE, AND AVOID INSTALLING THE FAN WITH SMALLER DUCTS THAN RECOMMENDED. INSULATION AROUND THE DUCTS CAN REDUCE ENERGY LOSS AND INHIBIT MOLD GROWTH. FANS INSTALLED WITH EXISTING DUCTS MAY NOT ACHIEVE THEIR RATED AIRFLOW.

## SAVE THESE INSTRUCTIONS

# INSTALLATION INSTRUCTIONS



**CAUTION:** MAKE SURE POWER IS SWITCHED OFF AT SERVICE PANEL BEFORE STARTING INSTALLATION.

## SECTION 1

### Preparing the Exhaust Fan

- Unpack fan from the carton and confirm that all pieces are present. In addition to the exhaust fan you should have:
  - Grill
  - Damper Assembly (attached)
  - Mounting Brackets (attached)
  - Instruction/Safety Sheet
- Choose the location for your fan. To ensure the best air and sound performance, it is recommended that the length of ducting and the number of elbows be kept to a minimum, the radius of each elbow be as large as possible for the installation, and that insulated hard ducting be used. This fan will require at least 12" of clearance in the ceiling or wall, and will mount through drywall up to ½" thick. The fan mounts between 24" on center joists using the provided mounting brackets.
- Select the most convenient electrical knockout and remove using a straight-blade screw driver (Figure 1).
- No additional vibration deadening materials are needed or this fan.

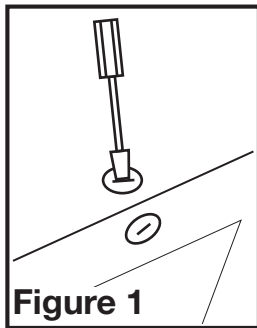


Figure 1

## SECTION 2

### New Construction

- If the mounting brackets are not already in place, install both brackets through the top set of slots on the fan housing and secure in place with the four included nuts as shown. Center the fan housing between the joists and secure the mounting brackets with screws (not included) to the joist. Adjust the height of the housing so that it will be flush with the finished ceiling by loosening the mounting bracket nuts and sliding the housing up or down on the bracket. Full tighten all four nuts to secure the housing in place (Figure 2).

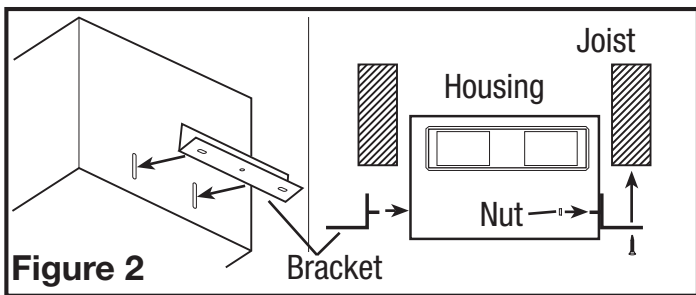


Figure 2

## SECTION 3

### Existing Construction

- Install two - 2 x 4 headers (not included) between the joists (Figure 3). Install the mounting brackets through the top set of slots on the fan housing and secure in place with the four included nuts. Position the fan housing between the headers and secure the mounting brackets with screws (not included) to the header. Adjust the height of the housing so that it is flush with the finished ceiling by loosening the mounting bracket nuts and sliding the housing up or down on the bracket. Fully tighten all four nuts to secure the housing in place (Figure 4).

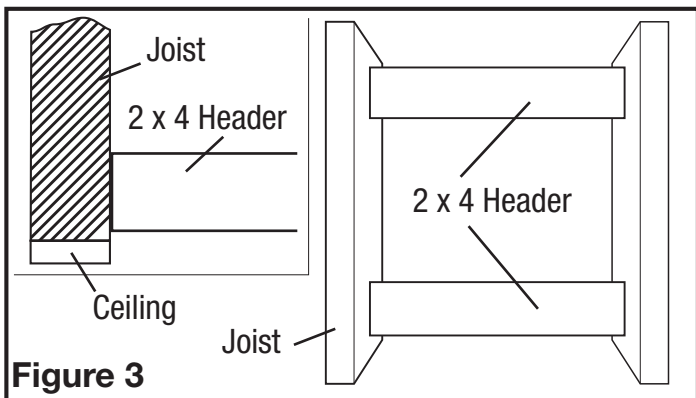


Figure 3

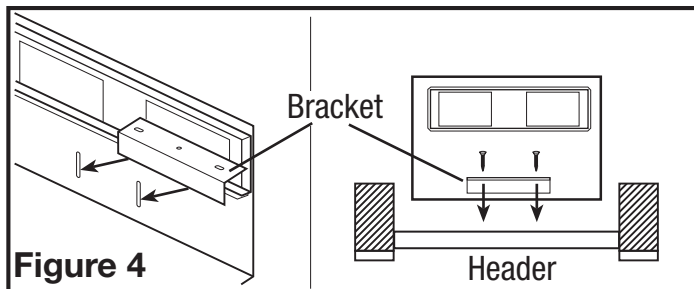


Figure 4

## SECTION 4

### Hanging Installation

- If the mounting brackets are not already in place, install both brackets through the top set of slots on the fan housing and secure in place with the four included nuts as shown. Lift unit up onto the threaded rods and secure in place using appropriate hardware (not included) (Figure 5).

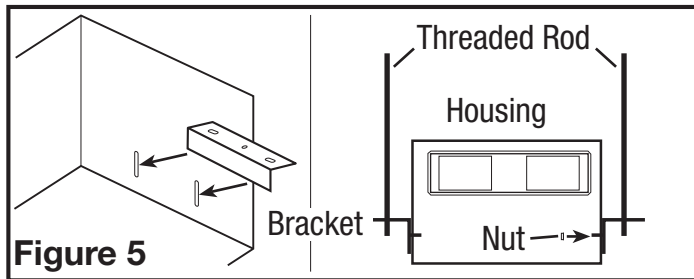


Figure 5

## SECTION 5

### Converting to vertical discharge

- To convert unit for vertical discharge, remove 9 screws holding the side access panel in place. Turn unit 90° and reinstall panel. Make sure the grill screw hole in the panel is facing up (Figure 6).

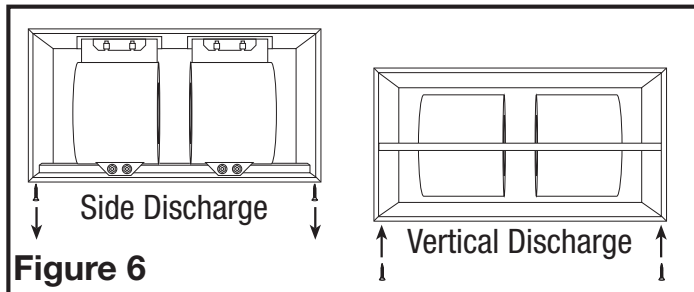


Figure 6

### Converting for Inline Usage

- Determine if you will require the unit to exhaust vertically/horizontally or at a right angle and install the optional IA418RE duct adapter panel (not included) accordingly, using the included screws (Figure 7).

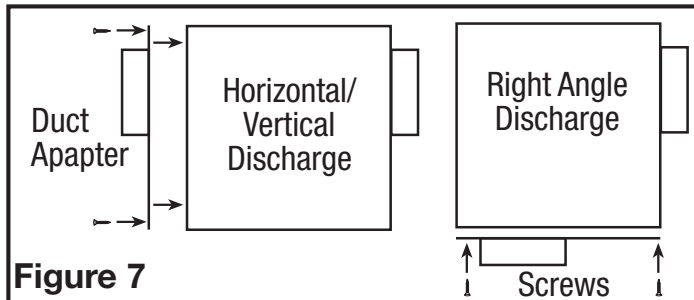


Figure 7

## SECTION 6

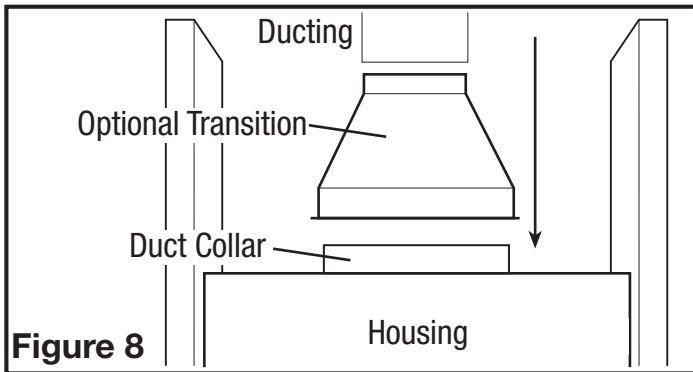
### Ducting



**CAUTION:** ALL DUCTING MUST COMPLY WITH LOCAL AND NATIONAL BUILDING CODES.

**NOTE:** The ducting from this fan to the outside of the building has a strong effect on the air flow, noise and energy use of the fan. Use the shortest, straightest duct routing possible for best performance, and avoid installing the fan with smaller ducts than recommended. Insulation around the ducts can reduce energy loss and inhibit mold growth. Fans installed with existing ducts may not achieve their rated air flow.

1. Connect the ducting to the fan's duct collar (**Figure 8**). Secure in place using duct tape. Always duct the fan to the outside through a wall or roof cap. It is recommended that low restriction termination fittings be used.



**NOTE:** To transition to round ducting, Air King recommends using model TD10 4½" x 18" to 10" round transition (not included). When using model TD10, the existing duct collar must be removed.

## SECTION 7

### Wiring



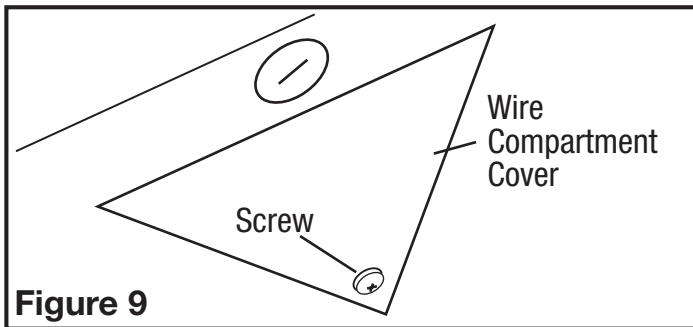
**CAUTION:** MAKE SURE POWER IS SWITCHED OFF AT SERVICE PANEL BEFORE STARTING INSTALLATION.



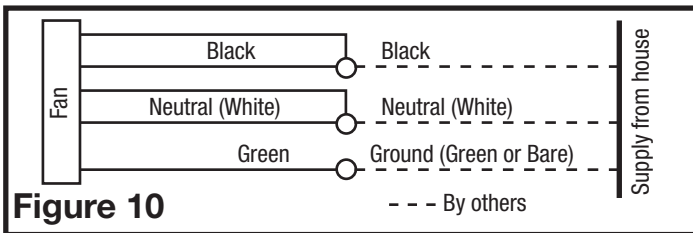
**CAUTION:** ALL ELECTRICAL CONNECTIONS MUST BE MADE IN ACCORDANCE WITH LOCAL CODES, ORDINANCES, OR NATIONAL ELECTRICAL CODE. IF YOU ARE UNFAMILIAR WITH METHODS OF INSTALLING ELECTRICAL WIRING, SECURE THE SERVICES OF A QUALIFIED ELECTRICIAN.

**NOTE:** This unit includes a side access panel for wiring that does not require the removal of the fan's blower assembly.

1. Remove the wire compartment cover screw and place cover in a secure place (**Figure 9**).



2. Pull the loose black, white and green wires out from the wire compartment (additional wires will be present). Install an approved electrical connector (not included) to the wire compartment cover. Run a black (hot), white (neutral), and a green or bare ground wire from the supply. Connect all wires from the supply to their corresponding wires within the wire compartment (**Figure 10**). Use approved methods for all connections.



3. Carefully tuck wire back inside wire compartment and replace wire compartment cover securing with the screw that was removed earlier.

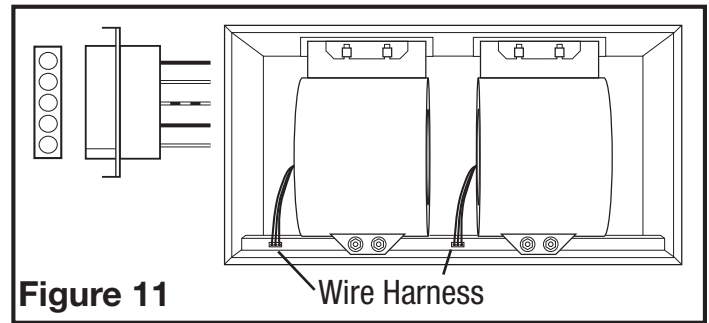
## SECTION 8

### Completing the Installation

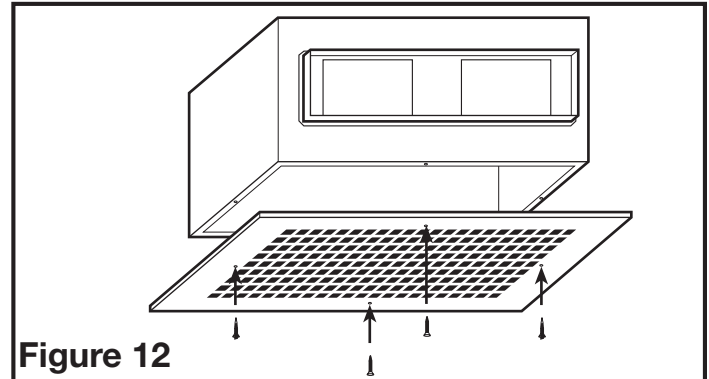
1. Use a sealant appropriate for contact with the building materials present and for the temperature requirements of the installation to prevent air leakage from unconditioned spaces is recommended. If gaps between unit housing and ceiling are great, additional material (backing rod, ceiling material) may be required.

**NOTE:** This fan is rated for direct insulation contact (Type IC) and it is recommended that this fan be completely covered by insulation in order to reduce heat loss or gain to unconditioned space.

2. Confirm that all wire harness's coming from the blowers are plugged into their receptacles on the mounting channel (**Figure 11**).



3. Install the grill with the four (4) included mounting screws (**Figure 12**).



4. Restore power and test your installation.

## SECTION 9

### Use and Care



**CAUTION:** MAKE SURE POWER IS SWITCHED OFF AT SERVICE PANEL BEFORE SERVICING THE UNIT.

1. **Cleaning the Grill:** Remove grill and use a mild detergent, such as dishwashing liquid, and dry with a soft cloth. NEVER USE ANY ABRASIVE PADS OR SCOURING POWDERS. Completely dry grill before reinstalling. Refer to instructions in **Section 8** *Completing the Installation*, to reinstall grill.
2. **Cleaning the Fan Assembly:** Wipe all parts with a dry cloth or gently vacuum the fan. NEVER IMMERSE ELECTRICAL PARTS IN WATER.

# Troubleshooting Guide

Trouble	Probable Cause	Suggested Remedy
1. Fan does not operate when the switch is on.	1a. A fuse may be blown or a circuit tripped. 1b. Connector plug from motor is not plugged in. 1c. Wiring is not connected properly. 1d. Motor has stopped operating.	1a. Replace fuse or reset circuit breaker. 1b. Turn off power to unit. Remove Grill and plug motor into receptacle in housing. Restore power to unit. 1c. Turn off power to unit. Check that all wires are connected. 1d. Replace motor.
2. Fan is operating, but air moves slower than normal.	2. Obstruction in the exhaust ducting.	2. Check for any obstructions in the ducting. The most common are bird nests in the roof cap or wall cap where the fan exhausts to the outside.
3. Fan is operating louder than normal	3a. Motor is loose. 3b. Fan blade is hitting housing of unit.	3a. Turn off power to unit. Remove grill and check that all screws are fully tightened. Restore power to unit. 3b. Call your dealer for service.

## LIMITED WARRANTY

**WHAT THIS WARRANTY COVERS:** This product is warranted against defects in workmanship and/or materials.

**HOW LONG THIS WARRANTY LASTS:** This warranty extends only to the original purchaser of the product and lasts for five (5) years from the date of original purchase or until the original purchaser of the product sells or transfers the product, whichever first occurs.

**WHAT AIR KING WILL DO:** During the warranty period, Air King will, at its sole option, repair or replace any part or parts that prove to be defective or replace the whole product with the same or comparable model.

**WHAT THIS WARRANTY DOES NOT COVER:** This warranty does not apply if the product was damaged or failed because of accident, improper handling or operation, shipping damage, abuse, misuse, unauthorized repairs made or attempted. This warranty does not cover shipping costs for the return of products to Air King for repair or replacement. Air King will pay return shipping charges from Air King following warranty repairs or replacement

**ANY AND ALL WARRANTIES, EXPRESSED OR IMPLIED (INCLUDING, WITHOUT LIMITATION, ANY IMPLIED WARRANTY OF MERCHANTABILITY), LAST FIVE YEARS FROM THE DATE OF ORIGINAL PURCHASE OR UNTIL THE ORIGINAL PURCHASER OF THE PRODUCT SELLS OR TRANSFERS THE PRODUCT, WHICHEVER FIRST OCCURS AND IN NO EVENT SHALL AIR KING'S LIABILITY UNDER ANY EXPRESS OR IMPLIED WARRANTY INCLUDE (I) INCIDENTAL OR CONSEQUENTIAL DAMAGES FROM ANY CAUSE WHATSOEVER, OR (II) REPLACEMENT OR REPAIR OF ANY HOUSE FUSES, CIRCUIT BREAKERS OR RECEPTACLES. NOTWITHSTANDING ANYTHING TO THE CONTRARY, IN NO EVENT SHALL AIR KING'S LIABILITY UNDER ANY EXPRESS OR IMPLIED WARRANTY EXCEED THE PURCHASE PRICE OF THE PRODUCT AND ANY SUCH LIABILITY SHALL TERMINATE UPON THE EXPIRATION OF THE WARRANTY PERIOD.**

Some states and provinces do not allow limitations on how long an implied warranty lasts, or the exclusion or limitation of incidental or consequential damages, so these exclusions or limitations may not apply to you. This warranty gives you specific legal rights. You may also have other rights which vary from state to state and province to province. Proof of purchase is required before a warranty claim will be accepted.

## CUSTOMER SERVICE:

**Toll-Free (800) 465-7300**

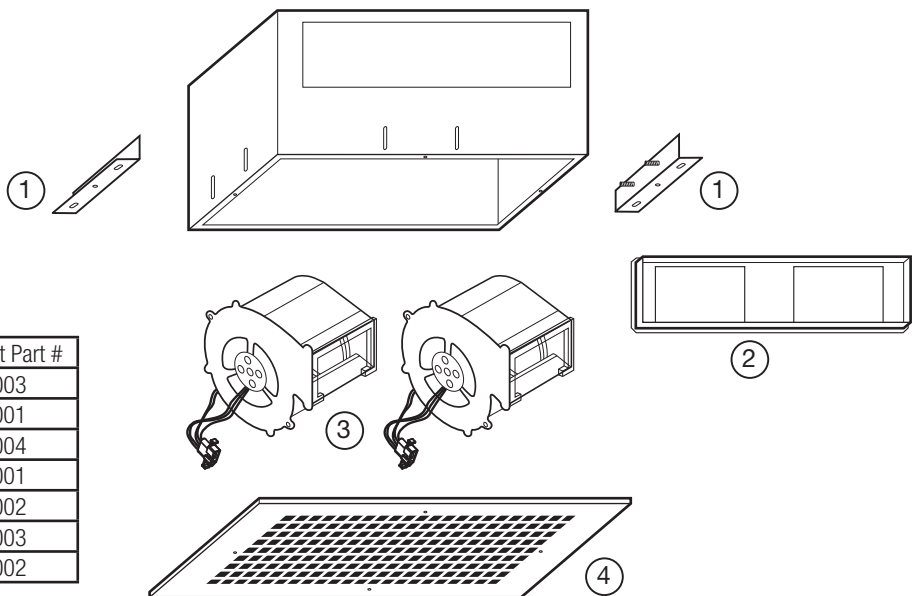
Our Customer Service team is available to assist you with product questions, service center locations, and replacement parts. They can be reached Monday through Friday, 8am-4pm Eastern. Please have your model number available, as well as the type and style (located on the label inside of your product).

Please do not return product to place of purchase.

[www.airkinglimited.com](http://www.airkinglimited.com)

**PARTS FOR DISCONTINUED, OBSOLETE AND CERTAIN OTHER PRODUCTS MAY NOT BE AVAILABLE. DUE TO SAFETY REASONS, MANY ELECTRONIC COMPONENTS AND MOST HEATER COMPONENTS ARE NOT AVAILABLE TO CONSUMERS FOR INSTALLATION OR REPLACEMENT.**

#	Qty.	Description	Replacement Part #
1	2	Mounting Brackets	5S1249003
2	1	Collar Assembly	5S1249001
3	2	Blower Assembly (AK300)	5S2249004
	2	Blower Assembly (AK400)	5S2249001
	2	Blower Assembly (AK500)	5S2249002
	2	Blower Assembly (AK600)	5S2249003
4	1	Grill	5S1249002



Installer: \_\_\_\_\_

Installation Date: \_\_\_\_\_

Place of Purchase: \_\_\_\_\_

Model Number: \_\_\_\_\_

# INSTRUCTIONS IMPORTANTES – MODE D'EMPLOI

Modèles : AK300, AK400, AK500, AK600

**Air King**  
Ventilation Products®

Ventilateur d'Évacuation



## LIRE ET CONSERVER CES INSTRUCTIONS

LIRE SOIGNEUSEMENT AVANT DE TENTER D'ASSEMBLER, INSTALLER, OPÉRER OU DE RÉPARER LE PRODUIT DÉCRIT. PROTÉGEZ VOUS-MÊME ET LES AUTRES EN OBSERVANT TOUTE L'INFORMATION DE SÉCURITÉ. FAILLIR À SE CONFORMER AUX INSTRUCTIONS PEUT RÉSULTER EN BLESSURE PERSONNELLE GRAVE ET/OU EN DOMMAGE À LA PROPRIÉTÉ.



CONSERVER CES INSTRUCTIONS POUR RÉFÉRENCES FUTURES.

## INSTRUCTIONS GÉNÉRALES DE SÉCURITÉ



Lors de l'utilisation d'appareils électriques, des précautions de base doivent toujours être suivies pour réduire les risques d'incendie, de choc électrique et de blessures corporelles, incluant ce qui suit:



**AVERTISSEMENT** : POUR RÉDUIRE LES RISQUES D'INCENDIE, DE CHOC ÉLECTRIQUE OU DE BLESSURES PERSONNELLES OBSERVER CE QUI SUIT:

- Utiliser cette unité seulement de la manière pour laquelle le fabricant l'a conçu. Si vous aviez des questions, veuillez contacter le fabricant.
- Avant d'effectuer un service ou de nettoyer l'unité, couper l'alimentation électrique dans le panneau de distribution et verrouiller le dispositif de déconnexion afin d'éviter que l'alimentation ne revienne accidentellement. Lorsque le dispositif ne peut être verrouillé, fixer solidement un avis d'avertissement, tel qu'une étiquette, au panneau de distribution.



**AVERTISSEMENT** : POUR RÉDUIRE LES RISQUES D'INCENDIE, DE CHOC ÉLECTRIQUE OU DE BLESSURES PERSONNELLES OBSERVER CE QUI SUIT:

- Le travail d'installation et le câblage électrique doivent être effectués par une(des) personne(s) qualifiée(s) en conformité avec tous les codes et normes applicables, incluant la construction relative aux incendies.
- De l'air en quantité suffisante est requis pour la bonne combustion et l'évacuation de gaz par le conduit (cheminée) provenant d'équipement de brûlage au combustible pour prévenir un refoulement. Suivre les directives du fabricant de l'équipement de chauffage et les normes de sécurité telles que celles publiées par la National Fire Protection Association (NFPA) et de la American Society for Heating, Refrigeration, and Air Conditioning Engineers (ASHRAE), et de celles des autorités locales du code.
- Lors de coupe ou de perçage des murs et plafonds, ne pas endommager le filage électrique et autres utilités cachées.



**ATTENTION** : POUR USAGE DE VENTILATION GÉNÉRALE EXCLUSIVEMENT. NE PAS UTILISER POUR ÉVACUER DU MATÉRIEL ET DES VAPEURS DANGEREUSES OU EXPLOSIVES.

- Les ventilateurs avec conduits doivent toujours être évacués vers l'extérieur
- Cette unité doit être mise à la terre
- Pour éviter des dommages aux roulements des moteurs et/ou des hélices bruyantes ou déséquilibrées, empêcher la poussière de cloison sèche, poussière de construction, etc., d'atteindre l'unité de puissance.
- Lire toutes les instructions avant d'installer ou d'utiliser la ventilateur.



**AVERTISSEMENT** : POUR RÉDUIRE LES RISQUES D'INCENDIE OU DE CHOC ÉLECTRIQUE, NE PAS UTILISER CE VENTILATEUR AVEC UN RÉGULATEUR DE VITESSE ÉLECTRONIQUE.



**AVERTISSEMENT** : NE PAS UTILISER DANS LES CUISINES



**AVERTISSEMENT** : LA CANALISATION DE CE VENTILATEUR À L'EXTÉRIEUR DU BÂTIMENT A UN EFFET IMPORTANT SUR LE FLUX D'AIR, LE BRUIT ET LA CONSOMMATION D'ÉNERGIE DU VENTILATEUR. UTILISEZ LA ROUTE DE CANALISATION LA PLUS COURTE ET LA PLUS DROITE POSSIBLE POUR UNE MEILLEURE PERFORMANCE, ET ÉVITEZ D'INSTALLER LE VENTILATEUR AVEC DES CONDUITS PLUS PETITS QUE RECOMMANDÉ. L'ISOLATION AUTOUR DES CONDUITS PEUT RÉDUIRE LA PERTE D'ÉNERGIE ET EMPÊCHER LE DÉVELOPPEMENT DE MOISSURES. IL SE PEUT QUE LES VENTILATEURS INSTALLÉS AVEC DES CONDUITS EXISTANTS N'ATTEIGNENT PAS LEUR DÉBIT D'AIR NOMINAL.

## CONSERVER CES INSTRUCTIONS

# INSTRUCTIONS D'INSTALLATION



**ATTENTION :** VOUS ASSURER QUE L'ALIMENTATION EST COUPÉE AU PANNEAU DE SERVICE AVANT DE COMMENCER L'INSTALLATION.

## SECTION 1

### Préparation du Ventilateur d'évacuation

- Sortir le ventilateur de sa boîte et confirmer que toutes les pièces sont présentes. En plus du ventilateur d'évacuation vous devriez avoir:
  - Grille
  - Ensemble de clapet (attaché)
  - Supports de montage (attaché)
  - Feuillet d'instructions / sécurité
- Choisir un emplacement pour votre ventilateur. Pour garantir la meilleure qualité d'air et performance acoustique, il est recommandé que la longueur de la canalisation et le nombre de coudes soient réduits au minimum, que le rayon de chaque coude soit aussi grand que possible pour l'installation, et que des conduits rigides isolés soient utilisés. Ce ventilateur nécessitera au moins 30,5cm (12po) de dégagement dans le plafond ou le mur, et s'installe au travers de cloison sèche d'une épaisseur de jusqu'à 1,3cm(½po). Le ventilateur se monte entre 24 po sur les solives centrales à l'aide des supports de montage fournis.
- Sélectionner l'alvéole défonçable la mieux appropriée et l'enlever à l'aide d'un tournevis à lame plate (Figure 1).
- Aucun matériel amortissant de vibrations supplémentaire n'est nécessaire pour ce ventilateur.

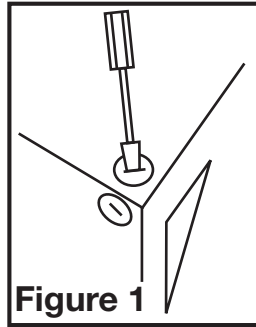


Figure 1

## SECTION 2

### Nouvelle Construction

- Si les supports de montage ne sont pas déjà en place, installez les deux supports à travers l'ensemble des fentes de haut sur le boîtier du ventilateur et fixez en place avec les quatre écrous inclus comme indiqué. Centrez le boîtier du ventilateur entre les solives et fixez les supports de montage avec des vis (non incluses) à la solive. Ajustez la hauteur du boîtier de sorte qu'il soit en affleurement avec le plafond fini en desserrant les écrous du support de montage et le boîtier coulissant vers le haut ou vers le bas sur le support. Serrez complètement les quatre écrous pour fixer le boîtier en place (Figure 2).

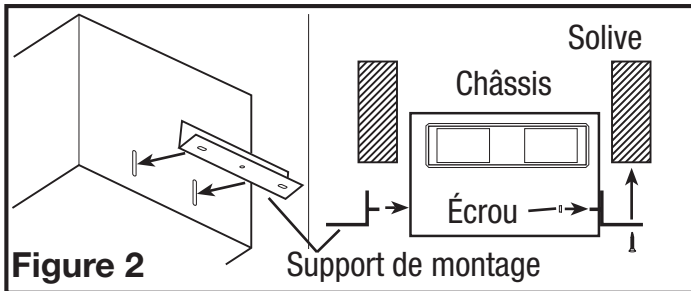


Figure 2

## SECTION 3

### Construction Existante

- Installez deux têtes - 2 x 4 (non incluses) entre les solives (Figure 3). Installez les supports de montage à travers l'ensemble des fentes de haut sur le boîtier du ventilateur et fixez en place avec les quatre écrous inclus. Placez le boîtier du ventilateur entre les en-têtes et fixez les supports de montage avec des vis (non incluses) à l'en-tête. Ajustez la hauteur du boîtier de sorte qu'il soit en affleurement avec le plafond fini en desserrant les écrous du support de montage et le boîtier coulissant vers le haut ou vers le bas sur le support. Serrez complètement les quatre écrous pour fixer le boîtier en place (Figure 4).

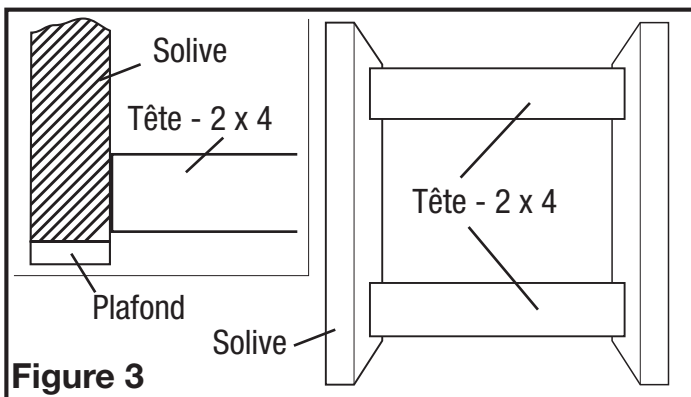


Figure 3

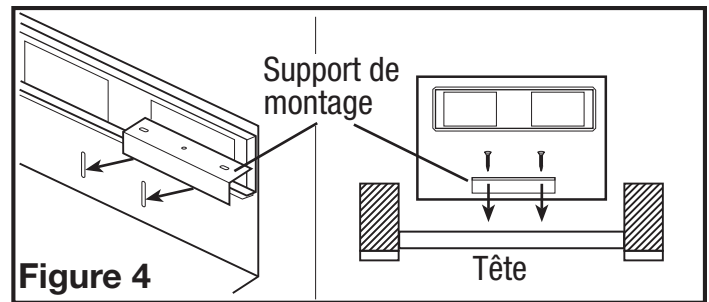


Figure 4

## SECTION 4

### Installation suspendue

- Si les supports de montage ne sont pas déjà en place, installez les deux supports à travers l'ensemble des fentes du haut sur le boîtier du ventilateur et fixez en place avec les quatre écrous inclus comme indiqué. Soulevez l'unité sur les tiges filetées et fixez en place à l'aide du matériel approprié (non inclus) (Figure 5).

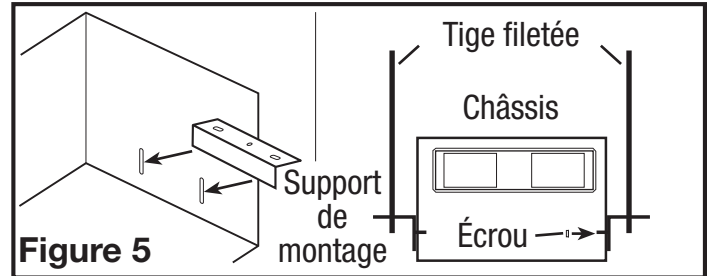


Figure 5

## SECTION 5

### Conversion à l'évacuation verticale

- Pour convertir l'unité au refoulement vertical, retirez les 9 vis qui maintiennent le panneau d'accès latéral en place. Tournez l'appareil de 90° et réinstallez le panneau. Assurez-vous que le trou de vis de la grille dans le panneau soit tourné vers le haut (Figure 6).

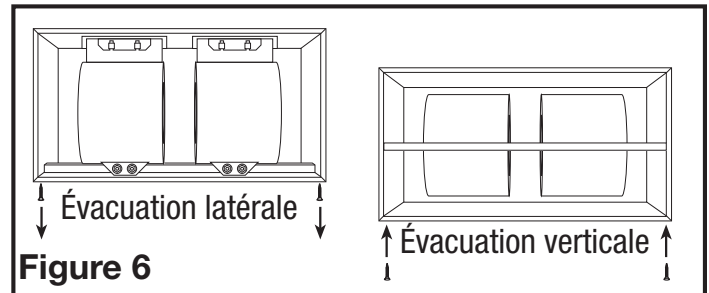


Figure 6

### Conversion pour en série utilisation

- Déterminez si vous aurez besoin que l'unité décharge verticalement / horizontalement ou à un angle droit et installez le IA418RE panneau d'adaptateur de conduit en option (non inclus) en conséquence, en utilisant les vis fournies (Figure 7).

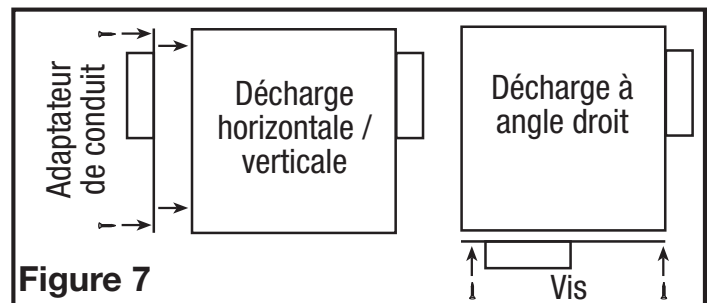


Figure 7

## SECTION 6

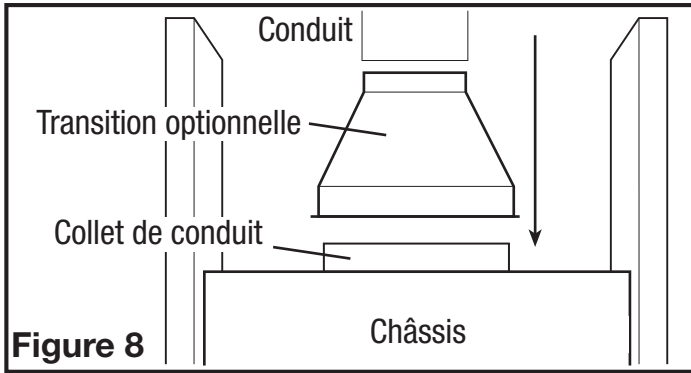
### Conduits



**ATTENTION :** TOUS LES CONDUITS DOIVENT ÊTRE CONFORMES AUX CODES DU BÂTIMENT LOCAUX ET NATIONAUX.

**REMARQUE :** La canalisation de ce ventilateur à l'extérieur du bâtiment a un effet important sur le flux d'air, le bruit et la consommation d'énergie du ventilateur. Utilisez la route de canalisation la plus courte et la plus droite possible pour une meilleure performance, et évitez d'installer le ventilateur avec des conduits plus petits que recommandé. L'isolation autour des conduits peut réduire la perte d'énergie et empêcher le développement de moisissures. Il se peut que les ventilateurs installés avec des conduits existants n'atteignent pas leur débit d'air nominal.

1. Connectez le conduit au collet de conduit du ventilateur (**Figure 8**). Fixez en place avec du ruban adhésif. Canalez toujours le ventilateur à l'extérieur par le mur ou un évent de toiture. Il est recommandé d'utiliser des raccords de terminaison à faible restriction.



**REMARQUE :** Pour effectuer la transition aux conduits circulaires, Air King recommande l'utilisation du modèle TD10 4 1/2 po x 18 po à 10 po transition circulaire (non inclus). Lorsque vous utilisez le modèle TD10, le collier de conduit existant doit être retiré.

## SECTION 7

### Câblage



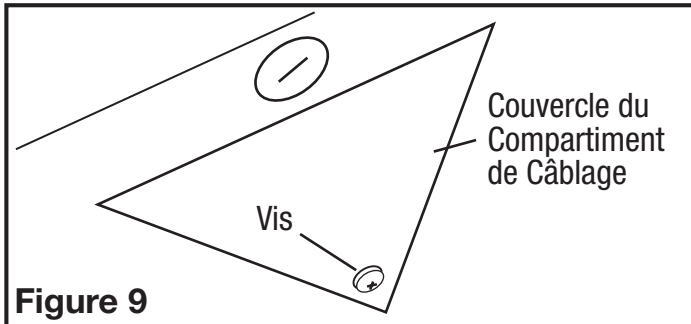
**ATTENTION :** VOUS ASSURER QUE L'ALIMENTATION EST COUPÉE AU PANNEAU DE SERVICE AVANT DE COMMENCER L'INSTALLATION.



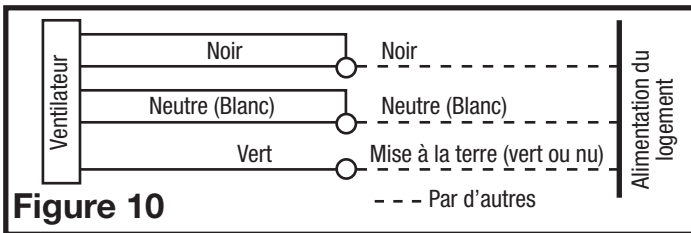
**ATTENTION :** TOUTES LES CONNEXIONS DOIVENT ÊTRE FAITES EN CONFORMITÉ AVEC LES CODES ÉLECTRIQUES LOCAUX OU NATIONAUX. SI VOUS N'ÊTES PAS FAMILIER AVEC LES MÉTHODES D'INSTALLATION DE CÂBLAGE ÉLECTRIQUE, RECOURREZ AUX SERVICES D'UN ÉLECTRICIEN QUALIFIÉ.

**REMARQUE :** cette unité possède un panneau d'accès latéral pour le câblage qui ne requiert pas l'enlèvement de l'assemblage de la soufflante du ventilateur.

1. Compartiment de Câblage Extérieur : enlever la vis du couvercle du compartiment à câblage et mettre ce couvercle dans un endroit fiable (**Figure 9**).



2. Retirez les câbles noir, blanc et vert libres du compartiment de câbles (des câbles supplémentaires seront présents). Installez un connecteur électrique approuvé (non inclus) sur le couvercle du compartiment de câblage. Faites passer un câble noir (chaud), blanc (neutre) et vert ou nu mis à terre de l'alimentation. Connectez tous les câbles de l'alimentation à leurs câbles correspondants dans le compartiment de câblage (**Figure 10**). Utilisez des méthodes approuvées pour toutes les connexions.



**REMARQUE :** Si le raccord du moteur de ventilateur est raccordé au réceptacle du châssis, le débrancher afin que l'ensemble venturi du ventilateur soit complètement enlevé.

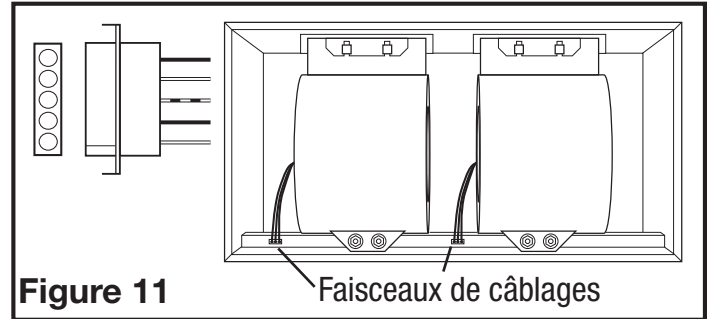
## SECTION 8

### Complétion de l'installation

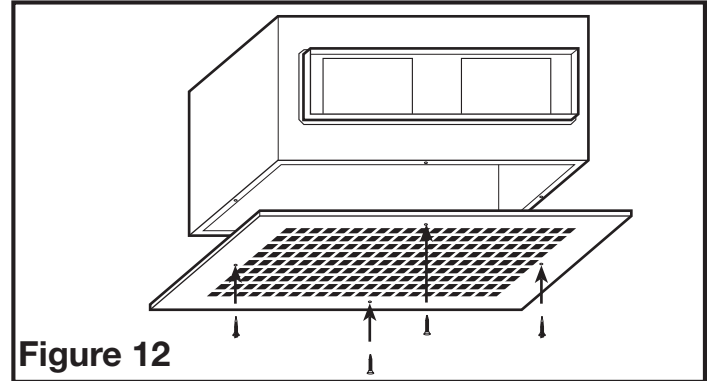
1. Il est recommandé d'utiliser un scellant approprié pour le contact avec les matériaux de construction actuels et pour les besoins de la température de l'installation, afin d'empêcher les fuites d'air à partir des espaces non conditionnés. S'il y a des grands écarts entre le boîtier de l'appareil et le plafond, du matériel supplémentaire (tige de support, matériel de plafond) peut être nécessaire.

**REMARQUE :** Ce ventilateur est conçu pour le contact d'isolation directe (type IC). Il est aussi recommandé que ce ventilateur soit complètement recouvert par l'isolation afin de réduire la perte de chaleur ou de gagner de l'espace inconditionné.

2. Vérifiez que tous les faisceaux de câblages provenant des ventilateurs sont branchés sur leurs réceptacles sur la chaîne de montage (**Figure 11**).



3. Installez la grille avec les quatre (4) vis de montage incluses (**Figure 12**).



5. Restaurer l'alimentation et tester votre installation.

## SECTION 8

### Utilisation et entretien



**ATTENTION :** VOUS ASSURER QUE L'ALIMENTATION EST COUPÉE AU PANNEAU DE SERVICE AVANT DE COMMENCER L'INSTALLATION.

1. **Nettoyage de la grille :** Retirer la grille et utiliser un détergent doux, tel que du liquide pour la vaisselle, puis sécher à l'aide d'un chiffon doux. NE JAMAIS UTILISER D'ABRASIF OU DE POUDRE À RÉCURER. Sécher complètement la grille avant de la réinstaller. Pour réinstaller la grille, vous référer à la **Section 6 Complétion de l'installation**.
2. **Nettoyage de l'assemblage du ventilateur :** Nettoyer toutes les parties à l'aide d'un chiffon sec ou passer délicatement l'aspirateur sur le ventilateur. NE JAMAIS IMMERGER LES PARTIES ÉLECTRIQUES DANS L'EAU.

# Guide de dépannage

Trouble	Cause Possible	Solution Suggérée
1. Le ventilateur ne fonctionne pas lorsque l'interrupteur est à la position en marche.	1a. Un fusible peut être grillé ou un disjoncteur peut être déclenché. 1b. La fiche de raccord du moteur n'est pas connectée. 1c. Le câblage n'est pas raccordé correctement. 1d. La moteur est terminée	1a. Remplacer le fusible ou réinitialiser le disjoncteur. 1b. Couper l'alimentation à l'unité. Retirer la grille et brancher le moteur dans le réceptacle dans le cabinet. Remettre l'alimentation sur l'unité. 1c. Couper l'alimentation de l'unité. Vérifier que tous les fils sont raccordés. 1d. Remplacez la moteur
2. Le ventilateur fonctionne, mais l'air circule plus lentement que la normale.	2. Obstruction dans les conduits d'évacuation.	2. Vérifier pour toute obstruction dans les conduits. Les plus courantes sont des nids d'oiseau dans le chapeau de toit ou mural là où le ventilateur s'évacue vers l'extérieur.
3. Le ventilateur fonctionne de manière plus bruyante que la normale.	3a. Le moteur est lâche. 3b. L'hélice du ventilateur frotte contre le cabinet de l'unité.	3a. Couper l'alimentation à l'unité. Retirer la grille et vérifier que toutes les vis sont complètement serrées. Remettre l'alimentation sur l'unité. 3b. Appeler votre marchand pour un service.

## GARANTIE LIMITÉE

**QUE COUVRE CETTE GARANTIE :** Ce produit est garanti contre tout vice de fabrication ou de matière.

**COMBIEN DE TEMPS CETTE GARANTIE DURE :** Cette garantie se rapporte seulement à l'acheteur original du produit et dure pendant cinq (5) années de la date de l'achat original ou jusqu'à ce que l'acheteur original du produit vend ou transfère le produit, celui qui se produit en premier.

**QUE FERA AIR KING :** Au cours de la période de garantie, Air King, à son choix, réparera ou remplacera n'importe quelle partie ou pièces qui s'avèrent défectueuses ou remplacera le produit entier par le même modèle ou un modèle comparable.

**CE QUE CETTE GARANTIE NE COUVRE PAS :** Cette garantie ne s'applique pas si le produit était endommagé ou arrête de fonctionner en raison d'un accident, d'une mauvaise manipulation ou opération, de dommages d'expédition, d'abus, de mauvaise utilisation, de réparation faite ou tentées non autorisées. Cette garantie ne couvre pas les coûts d'expédition pour le retour des produits à Air King pour la réparation ou le remplacement. Air King payera les frais d'expédition de retour de Air King après les réparations ou le remplacement de garantie.

**TOUTES LES GARANTIES, EXPRESSES OU TACITES (COMPRENANT, SANS LIMITATION, TOUTE GARANTIE TACITE DE VALEUR MARCHANDE), DURENT CINQ ANNÉES DE LA DATE DE L'ACHAT ORIGINAL OU JUSQU'À CE QUE L'ACHETEUR ORIGINAL DU PRODUIT VEND OU TRANSFÈRE LE PRODUIT, CELUI QUI SE PRODUIT EN PREMIER ET DANS AUCUN CAS AIR KING N'ASSUME AUCUNE RESPONSABILITÉ EXPRESSE OU TACITE POUR (I) DES DOMMAGES ACCIDENTELS OU INDIRECTS DE N'IMPORTE QUELLE CAUSE, OU (II) LE REMPLACEMENT OU LA RÉPARATION DE TOUS FUSIBLES, DISJONCTEURS OU RÉCEPTACLES DE MAISON. MALGRÉ N'IMPORTE QUOI À L'EFFET CONTRAIRE, DANS AUCUN CAS LA RESPONSABILITÉ D'AIR KING, SOUS UNE GARANTIE EXPRESSE OU TACITE, NE DÉPASSERA LE PRIX D'ACHAT DU PRODUIT ET UNE TELLE RESPONSABILITÉ SE TERMINERA AVEC L'EXPIRATION DE LA PÉRIODE DE GARANTIE.**

Certains états et provinces ne permettent pas les limitations de la période de garantie, ou l'exclusion ou la restriction des dommages accidentels ou indirects, et, par conséquent, les présentes restrictions ne peuvent pas s'appliquer. La présente garantie vous donne des droits légaux spécifiques et peut-être certains autres droits qui peuvent varier selon la province. La preuve d'achat est exigée avant qu'une réclamation de garantie ne soit acceptée.

## SERVICE À LA CLIENTÈLE :

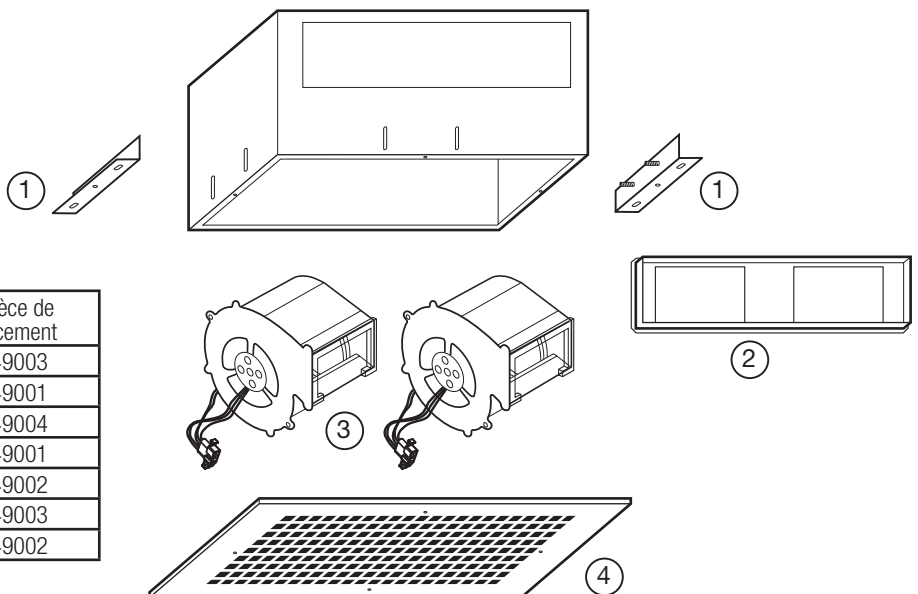
Sans frais (800) 465-7300

Notre équipe de service à la clientèle est disponible pour vous aider avec des questions sur le produit, les adresses des centres de service, et les pièces de rechange. Vous pouvez la rejoindre, du lundi au vendredi, de 8h:00 à 16h:00 HNE. Veuillez avoir le numéro du modèle disponible, ainsi que le genre et le style (qui se trouvent sur l'étiquette à l'intérieur de votre produit). Veuillez ne pas renvoyer le produit à l'endroit de l'achat.

[www.airkinglimited.com](http://www.airkinglimited.com)

**IL SE PEUT QUE LES PIÈCES POUR LES PRODUITS DISCONTINUÉS, OBSOLÈTES ET AUTRES PRODUITS NE SOIENT PAS DISPONIBLES. POUR DES RAISONS DE SÛRETÉ, BEAUCOUP DE COMPOSANTS ÉLECTRONIQUES ET LA PLUPART DES COMPOSANTS DES CHAUFFAGES NE SONT PAS À LA DISPOSITION DES CONSOMMATEURS POUR L'INSTALLATION OU LE REMPLACEMENT.**

#	Qté.	Description	# de pièce de remplacement
1	2	Supports de montage	5S1249003
2	1	Assemblée de collier	5S1249001
3	2	Assemblée de la Soufflante (AK300)	5S2249004
	2	Assemblée de la Soufflante (AK400)	5S2249001
	2	Assemblée de la Soufflante (AK500)	5S2249002
	2	Assemblée de la Soufflante (AK600)	5S2249003
4	1	Grill	5S1249002



Installateur : \_\_\_\_\_

Date d'installation : \_\_\_\_\_

Endroit de l'achat : \_\_\_\_\_

Numéro de modèle : \_\_\_\_\_