
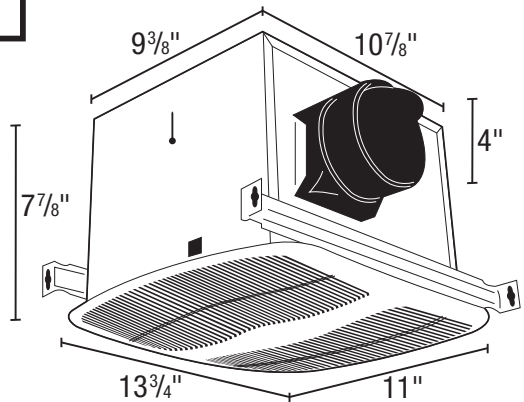




SPECIFICATIONS
AK100D
 DUAL SPEED EXHAUST FANS


100 CFM/2.0 Sones @ 0.10" SP.
83 CFM @ 0.25 SP.
50 CFM/0.4 Sones @ 0.10"

- Grill**
 White, polymeric grill secured in place with torsion springs; easily removed if necessary, dimensions - 11" x 13 3/4".
- Blower Wheel**
 Balanced polymeric dual inlet blower wheel 5 1/2" diameter x 4" depth, 30 paddles, secured in place using 8M hex nut.
- Motor**
 Enclosed 4 pole electronically balanced permanently split capacitor motor (PSC); life time lubricated. Motor bearings - ball. Suitable for continuous operation. Rated 115/120 volts, 60 Hz.
- Fan Housing**
 23 gauge galvanized steel housing, fully sealed. Dimensions: 10 7/8" x 9 3/8" x 7 7/8".
- Duct Collar**
 Plastic collar for 4" duct connection, comes complete with built in non-metallic back draft damper for quiet operation.
- Ventilating Area**
 For bathrooms up to 100 sq. ft. For other rooms up to 125 sq. ft.
- Electrical Connections**
 1/2" electrical knockouts provided. Easy wiring access via either internal or external wiring compartment cover.
- Single Pack Shipping Info**
 Box Dim Box Dim: 16" x 14 3/8" x 9 7/8"
 UPC: 0-8316294084-1
 Shipping Weight: 12 lbs.



Acceptable for use over tub or shower when installed in a GFCI protected branch circuit.



- Unit Mounting**
 The housing will mount in ceilings with at least 8" of clearance and through drywall thickness up to 3/4", with a rough-in opening of 11" x 9 1/2". The housing will mount either between 16" or 24" on center joists, using the 4 supplied housing mounting rails. The housing mounting rails can be adapted for overhead mounting (hardware not provided).

EXPANDED PERFORMANCE											
Air Flow - CFM	Static Pressure (inches of w.g.)							Sones @ .1 SP	Fan Speed RPM	Maximum Fan Watts	Amps
	0	0.1	0.125	0.15	0.2	0.25	0.3				
High Speed	104	100	99	98	95	83	71	2.0	1106	26.4	0.31
Low Speed	54	50	48	47	41	30	17	0.4			

PROJECT							ARCHITECT				
LOCATION							ENGINEER				
CONTRACTOR							SUBMITTED BY			DATE	
FAN NUMBER	MODEL NUMBER	CFM	IN W.G.	RPM	WATTS	AMPS	SONES	QTY	OPTIONAL EQUIPMENT & REMARKS		



U.S.: 820 Lincoln Avenue
 West Chester, Pennsylvania 19380-4466
 Tel: (610) 692-7400 • 877-304-3785
 Fax: (610) 696-8048

Canada:
 Brampton, Ontario
 Tel: 905-456-2033
 Fax: (905) 456-1015